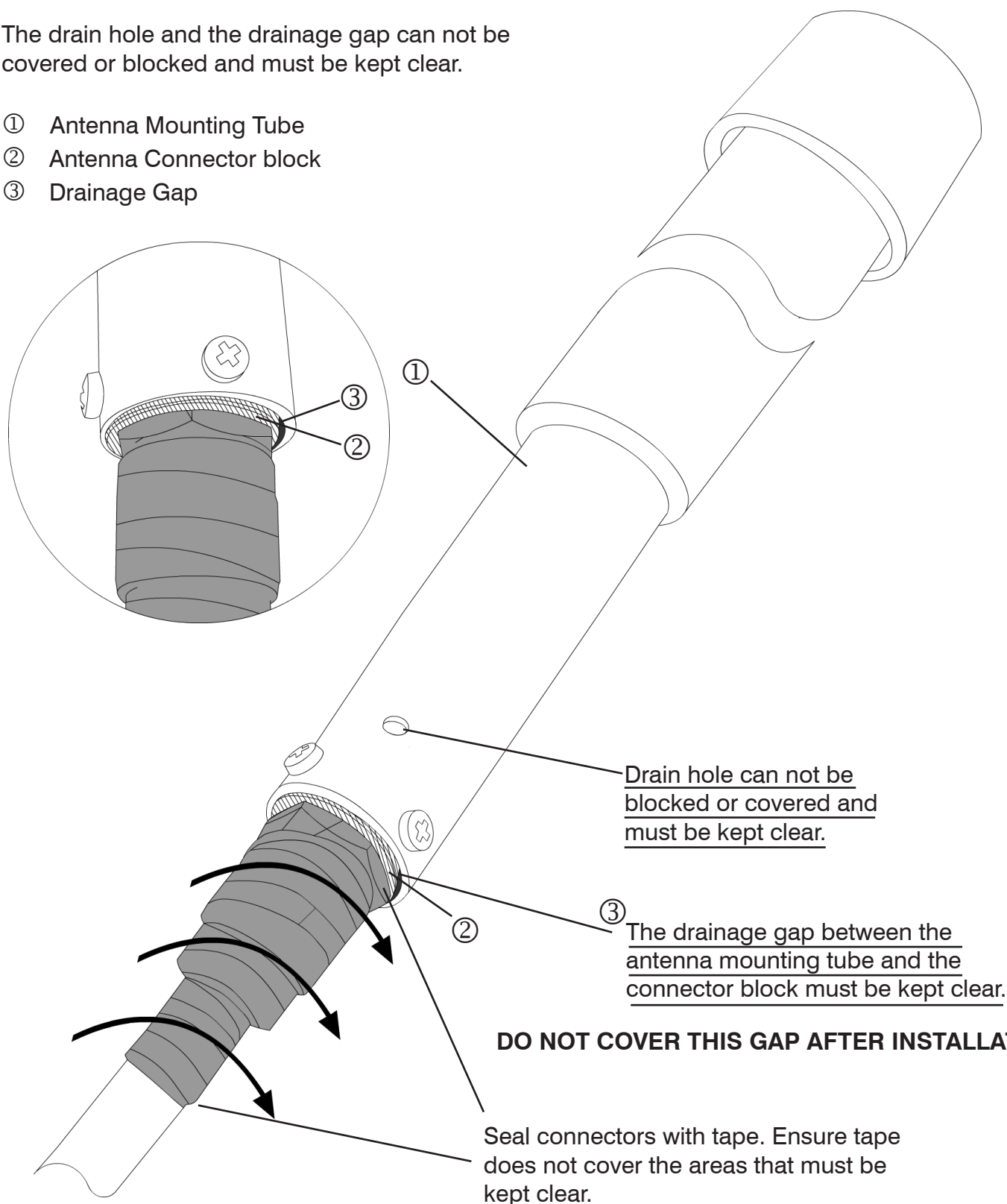


COD4 - 4047 Installation

WARNING: PLEASE READ BEFORE INSTALLATION

The drain hole and the drainage gap can not be covered or blocked and must be kept clear.

- ① Antenna Mounting Tube
- ② Antenna Connector block
- ③ Drainage Gap



Drain hole can not be blocked or covered and must be kept clear.

The drainage gap between the antenna mounting tube and the connector block must be kept clear.

DO NOT COVER THIS GAP AFTER INSTALLATION

Seal connectors with tape. Ensure tape does not cover the areas that must be kept clear.